

# Masport®

## INBUILT GAS FIRES

### SOFIA

## Natural Gas / LPG - EIS

|                     |                              |             |        |         |
|---------------------|------------------------------|-------------|--------|---------|
| <b>Part Numbers</b> | Sofia (complete with fascia) | Natural Gas | 990965 | Page 2  |
|                     | Sofia (complete with fascia) | LPG         | 990966 | Page 2  |
| <b>Fans</b>         | Fan Assy-Two Speed - DE      | Black       | 790264 | Page 6  |
|                     | Zero Clearance Kit           |             | 990940 | Page 7  |
| <b>Fascias</b>      | Standard - Bevelled          | Platinum    | 990970 | Page 8  |
|                     | Zero Clearance               | Platinum    | 990979 | Page 9  |
|                     | Narrow                       | Platinum    | 990972 | Page 10 |
|                     | Deep                         | Platinum    | 990975 | Page 11 |
| <b>Flues</b>        | Masonry Flue Kit             |             | 588637 | Page 12 |
|                     | Zero Clearance               |             | 588650 | Page 13 |

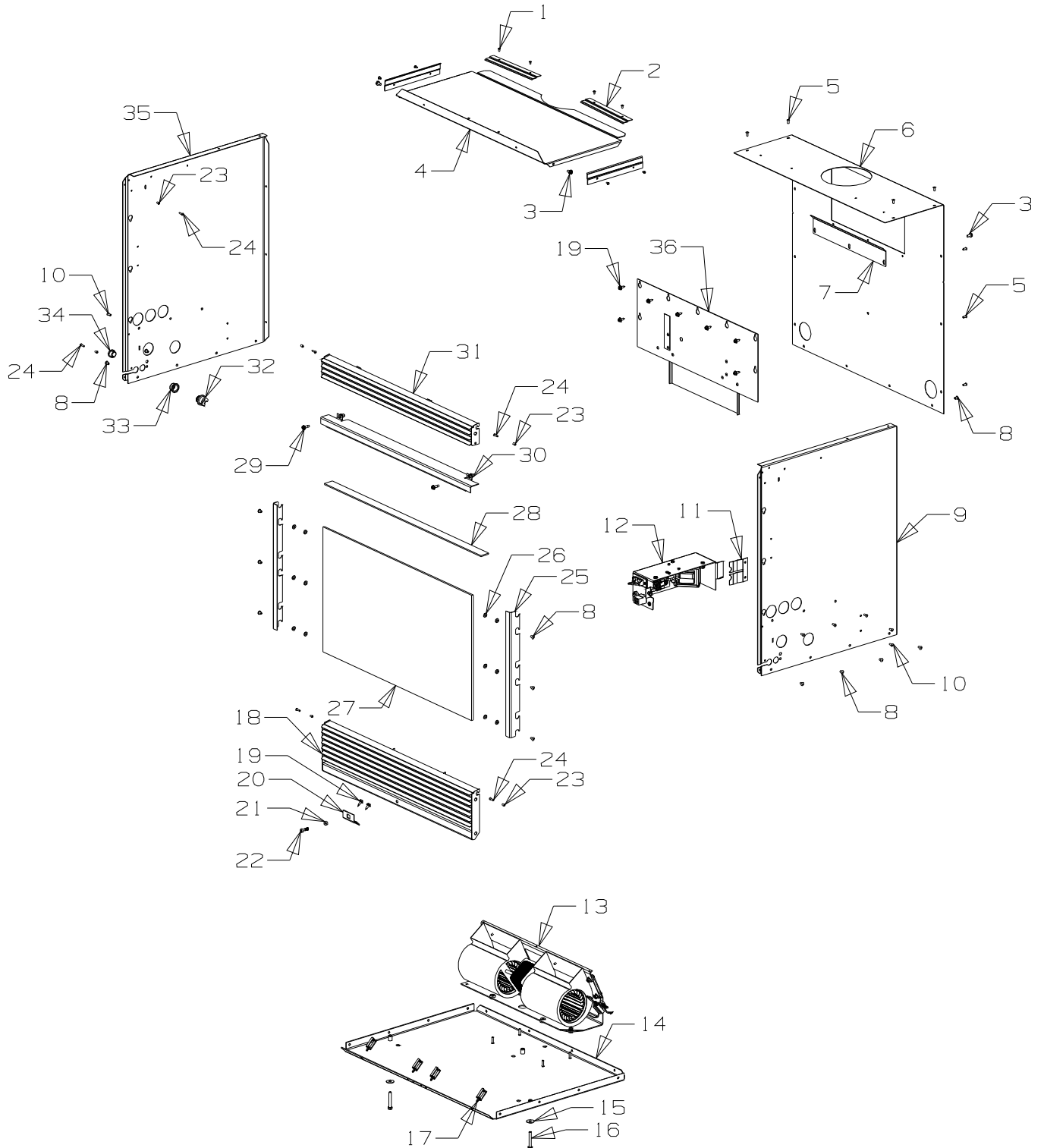
**Sofia - Natural Gas: From Serial Number ????????**

**Sofia - LPG: From Serial Number ????????**

**Sofia - Natural Gas: Month and Year of Manufacture: ???? ?????**

**Sofia - LPG: Month and Year of Manufacture: ???? ?????**

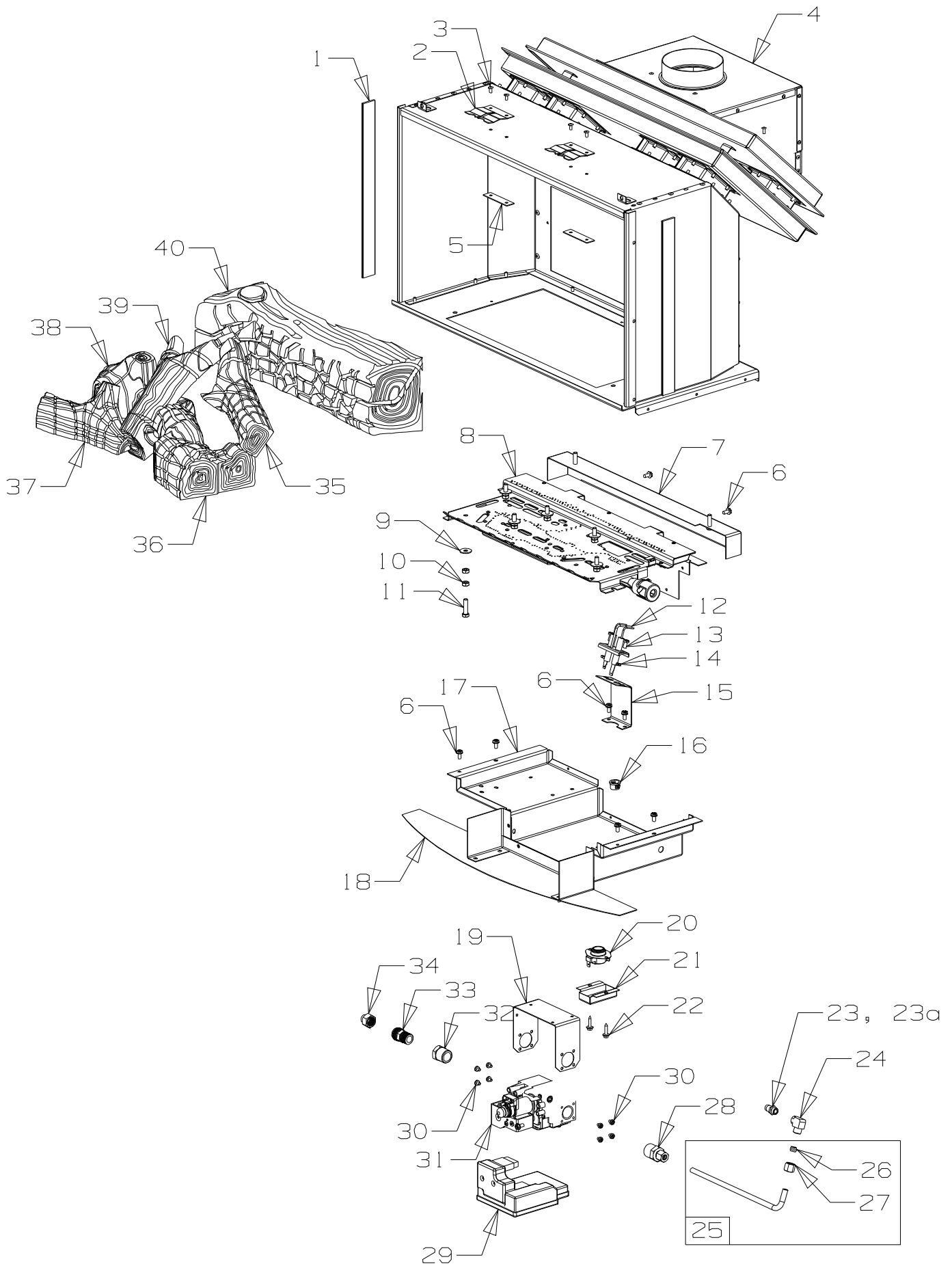






| Item | Part No | Description                | Qty | Item | Part No | Description                                | Qty |
|------|---------|----------------------------|-----|------|---------|--|-----|
| 1    | 501767  | Rivet-Pop 3.2 Dia x 3.2    | 8   | 20   | 990281  | Plate-Latch                                | 1   |
| 2    | 586514  | Case-Outer, Guide Rail     | 4   | 21   | 503818  | Grommet-Dzus                               | 1   |
| 3    | 503630  | Screw; S/T 10 x .4         | 7   | 22   | 503817  | Stud-Dzus                                  | 1   |
| 4    | 586513  | Case-Outer Top             | 1   | 23   | 985310  | Bush                                       | 6   |
| 5    | 503586  | Rivet 4.0 Dia              | 14  | 24   | 503165  | Rivet-Pop, 3.2 Dia x 6.4                   | 6   |
| 6    | 590331  | Case-Outer, Rear           | 1   | 25   | 790508  | Trim-Glass, Side                           | 2   |
| 7    | 990335  | Bracket-Support, Diverter  | 1   | 26   | 501330  | Washer, Flat 5 x 10 x 1.0                  | 12  |
| 8    | 503272  | Rivet-Pop 4.8 Dia x 4.8    | 18  | 27   | 790300  | <b>Glass Assy - 5 x 580 x 332</b>          | 1   |
| 9    | 590332  | Case-Outer, Side RH        | 1   | 28   | 700714  | • Tape - 3 x 25 x 610                      | 1   |
| 10   | 586167  | Rivet-Pop 4.0 Dia x 4.8    | 16  | 29   | 503489  | Screw, Set M5 x 16                         | 3   |
| 11   | 991236  | Retainer-Trim, Top Glass   | 1   | 30   | 790506  | Trim-Glass, Top - Platinum<br>(Incl. Tape) | 1   |
| 12   | 790280  | Control Box Assy           | 1   | 31   | 790507  | Louvre Assy-Top - Platinum                 | 1   |
| 13   | 790264  | Fan Assy                   | 1   | 32   | 502068  | Clamp-Cable                                | 1   |
| 14   | 990329  | Base Assy                  | 1   | 33   | 577089  | Nut-Cable Clamp                            | 1   |
| 15   | 503196  | Washer-Flat, 1/4"          | 3   | 34   | 586734  | Bush-Plastic                               | 2   |
| 16   | 503794  | Screw-Set M6 x 40          | 3   | 35   | 590333  | Case-Outer, Side LH                        | 1   |
| 17   | 590348  | Saddle-Wire, Hi-Q          | 4   | 36   | 790174  | Panel Assy-Access                          | 1   |
| 18   | 790514  | Grille-7 Louvre - Platinum | 1   |      |         |  |     |
| 19   | 503704  | Screw, S/T 8 x .5          | 9   |      |         |  |     |

**Bold Text** = Assemblies  
**Bulleted Text** = Items included in Assemblies



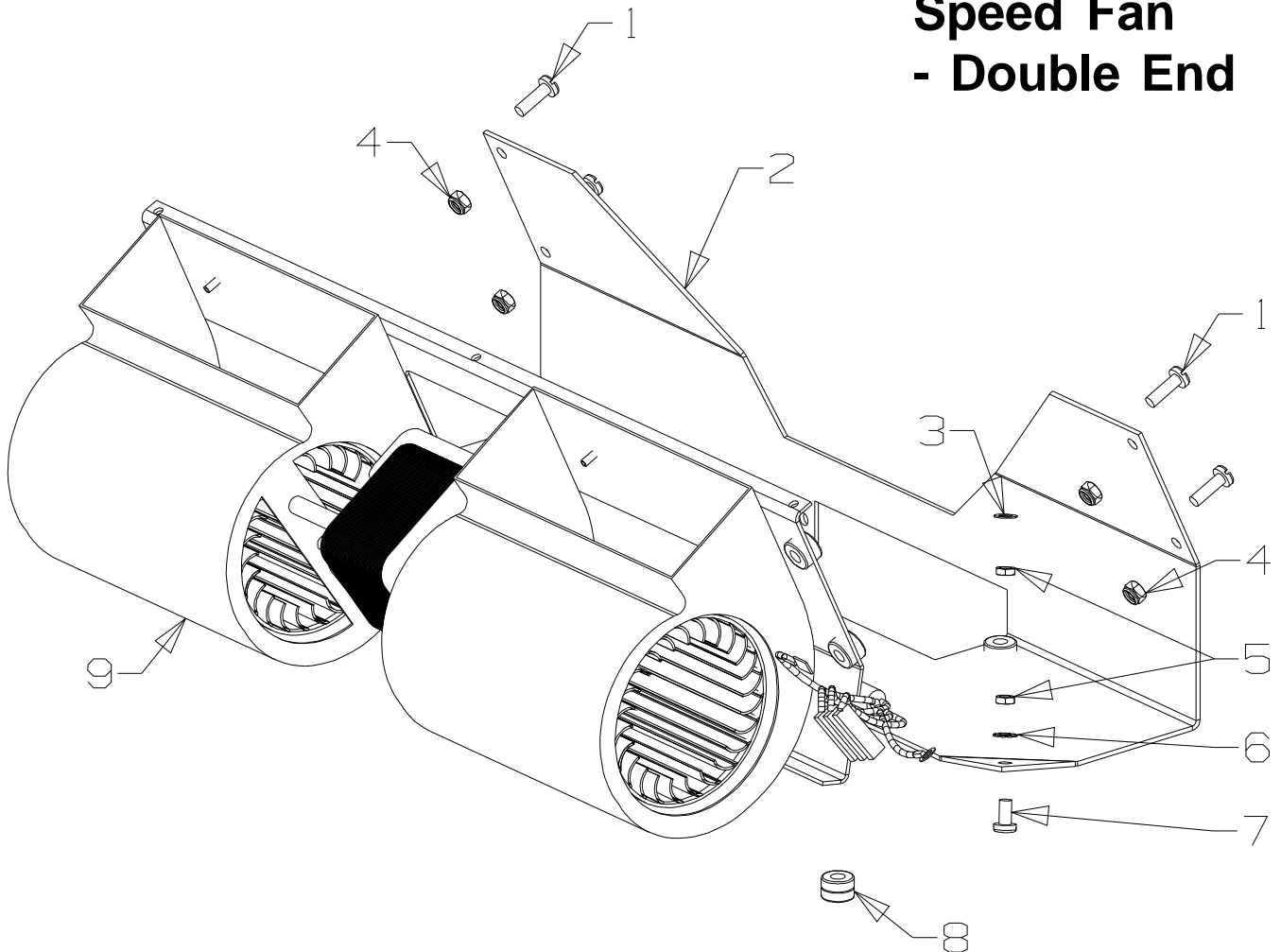


| Item No | Part No | Description                                 | Qty | Item No | Part No | Description                         | Qty |
|---------|---------|---|-----|---------|---------|-------------------------------------|-----|
| 1       | 700714  | Tape-Flat 3 x 5 x 610                       | 1   | 22      | 503726  | Screw; S/T 8 x .75                  | 2   |
| 2       | 991236  | Retainer-Top Glass Trim                     | 2   | 23      | 590352  | Injector-Main, 2.96                 |     |
| 3       | 503627  | Rivet, 4 Dia                                | 4   |         |         | - Natural Gas                       | 1   |
| 4       | 990325  | Firebox Assy-Complete                       | 1   |         | 590295  | Injector-Main, 1.70 - LPG           | 1   |
| 5       | 991163  | Plate-Reinforcing, Trim                     | 2   | 24      | 590345  | Fitting-Elbow 5/16" x 3/8"          | 1   |
| 6       | 503630  | Screw; S/T 10 x .4                          | 19  | 25      | 790270  | <b>Tube Assy-Main Injector</b>      | 1   |
| 7       | 990322  | Support-Log, Rear                           | 1   | 26      | 588172  | • Olive-Brass M8                    | 2   |
| 8       | 790246  | Burner Assy<br>(incl. items 6 (2)-7, 10-11) |     | 27      | 588393  | • Nut-Compression 8mm               | 2   |
| 9       | 503196  | Washer; Flat 1/4"                           | 6   | 28      | 590120  | Fittng-Flar 1/2" F X 3/8" BSP       | 1   |
| 10      | 503613  | Nut, M6                                     | 12  | 29      | 590269  | Ignition Module - Sit               | 1   |
| 11      | 501963  | Screw, Set M6 x 25                          | 6   | 30      | 503631  | Screw, Pan M4 x 5                   | 8   |
| 12      | 590267  | Ignitor-Direct Spark                        | 1   | 31      | 790268  | Valve-Control                       | 1   |
| 13      | 501857  | Screw, Pan M5 x 10                          | 6   | 32      | 591181  | Fitting-Reducing<br>1/2" - 3/8" BSP | 1   |
| 14      | 501856  | Nut, M5                                     | 6   | 33      | 590130  | Nut-Flare 1/2"                      | 1   |
| 15      | 990357  | Bracket-Mounting, Ignitor                   | 1   | 34      | 589004  | Nut-Flare 3/8"                      | 1   |
| 16      | 586734  | Bush-Plastic                                | 1   | 35      | 790342  | Log-Ceramic, Top RH                 | 1   |
| 17      | 990406  | Burner Tray Assy                            | 1   | 36      | 790341  | Log-Ceramic, Front RH               | 1   |
| 18      | 990384  | Extension Assy-Burner Tray                  | 1   | 37      | 790356  | Log-Ceramic, Front LH               | 1   |
| 19      | 990321  | Bracket-Mounting, Control                   | 1   | 38      | 990339  | Log-Ceramic, Middle LH              | 1   |
| 20      | 591119  | Thermodisc-Fan                              | 1   | 39      | 790343  | Log-Ceramic, Middle                 | 1   |
| 21      | 991304  | Shield-Thermodisc Terminal                  | 1   | 40      | 790338  | Log-Ceramic, Rear                   | 1   |

**Bold Text** = Assemblies  
**Bulleted Text** = Items included in Assemblies

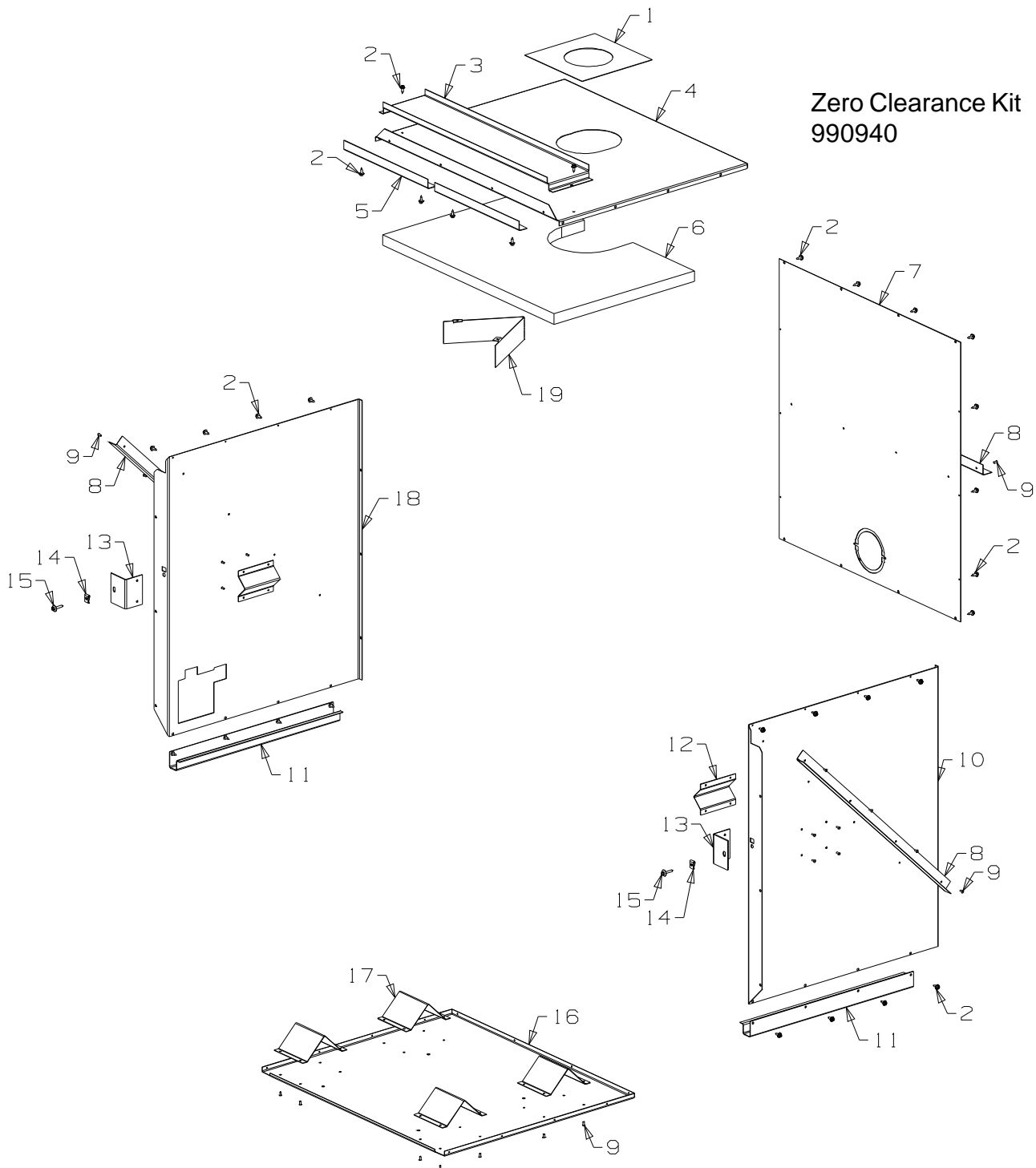


## Two Speed Fan - Double End



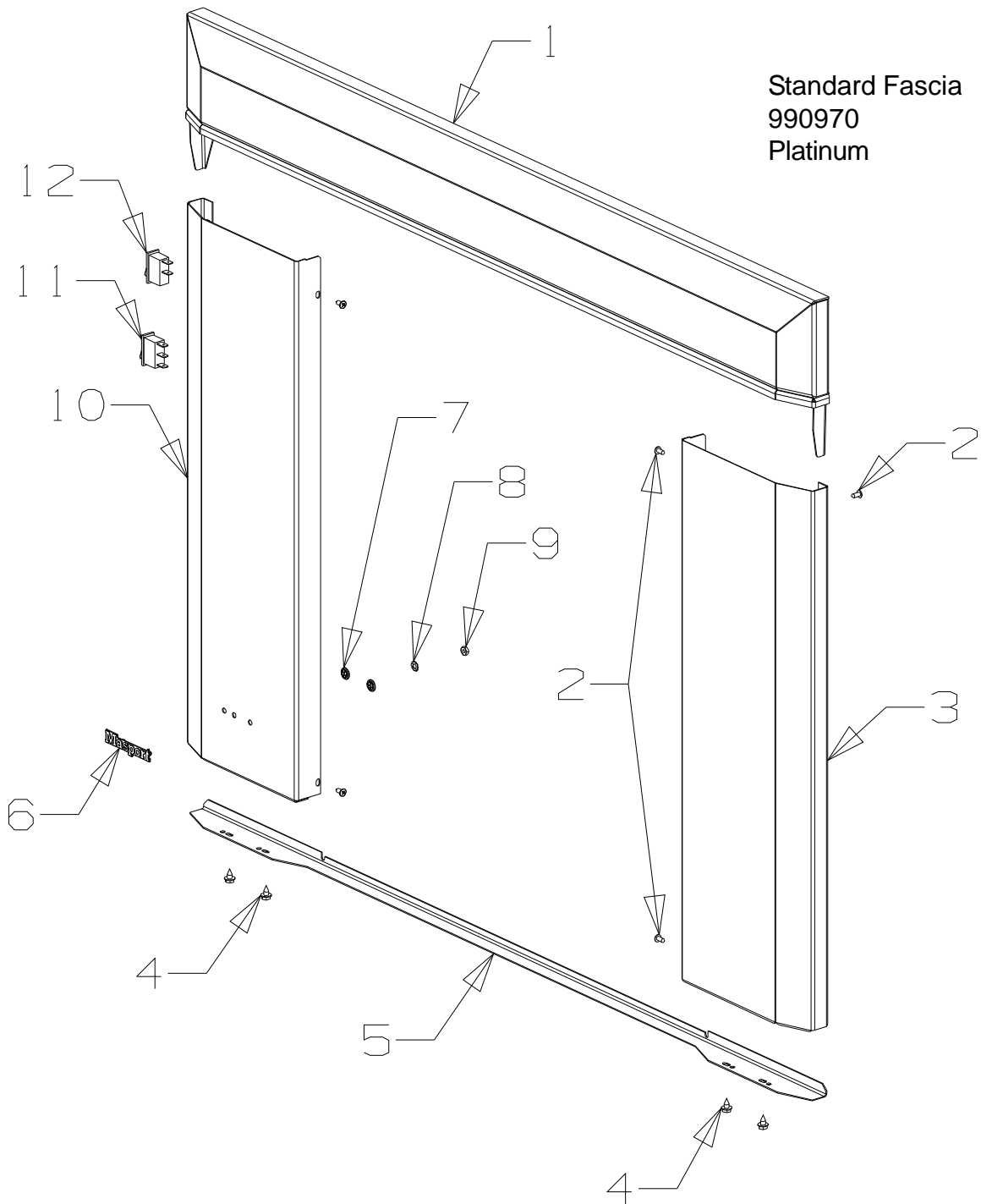
### 790264 Fan Assembly - 2 Speed

| Item No | Part No | Description                   | Qty | Item No                | Part No | Description               | Qty |
|---------|---------|-------------------------------|-----|------------------------|---------|---------------------------|-----|
| 1       | 501580  | Screw, Pan M5 x 16            | 4   | 8                      | 503671  | Grommet-Fan, 14 ID x 6 OD | 4   |
| 2       | 590394  | Fan-Double End - 3 Speed      | 1   | 9                      | 990265  | Plate-Mounting, Fan       | 1   |
| 3       | 503106  | Washer, Flat M5               | 2   | <b>NOT ILLUSTRATED</b> |         |                           |     |
| 4       | 503511  | Nut, M5                       | 4   |                        | 591321  | Insulator-Utilux          | 4   |
| 5       | 501856  | Nut, M5                       | 2   |                        | 590279  | Loom-Adaptor              | 1   |
| 6       | 503371  | Washer, Fan Disc 5 ID x 10 OD | 1   |                        | 590284  | Lead-Thermodisc           | 1   |
| 7       | 501857  | Screw, Pan M5 x 10            | 1   |                        |         |                           |     |



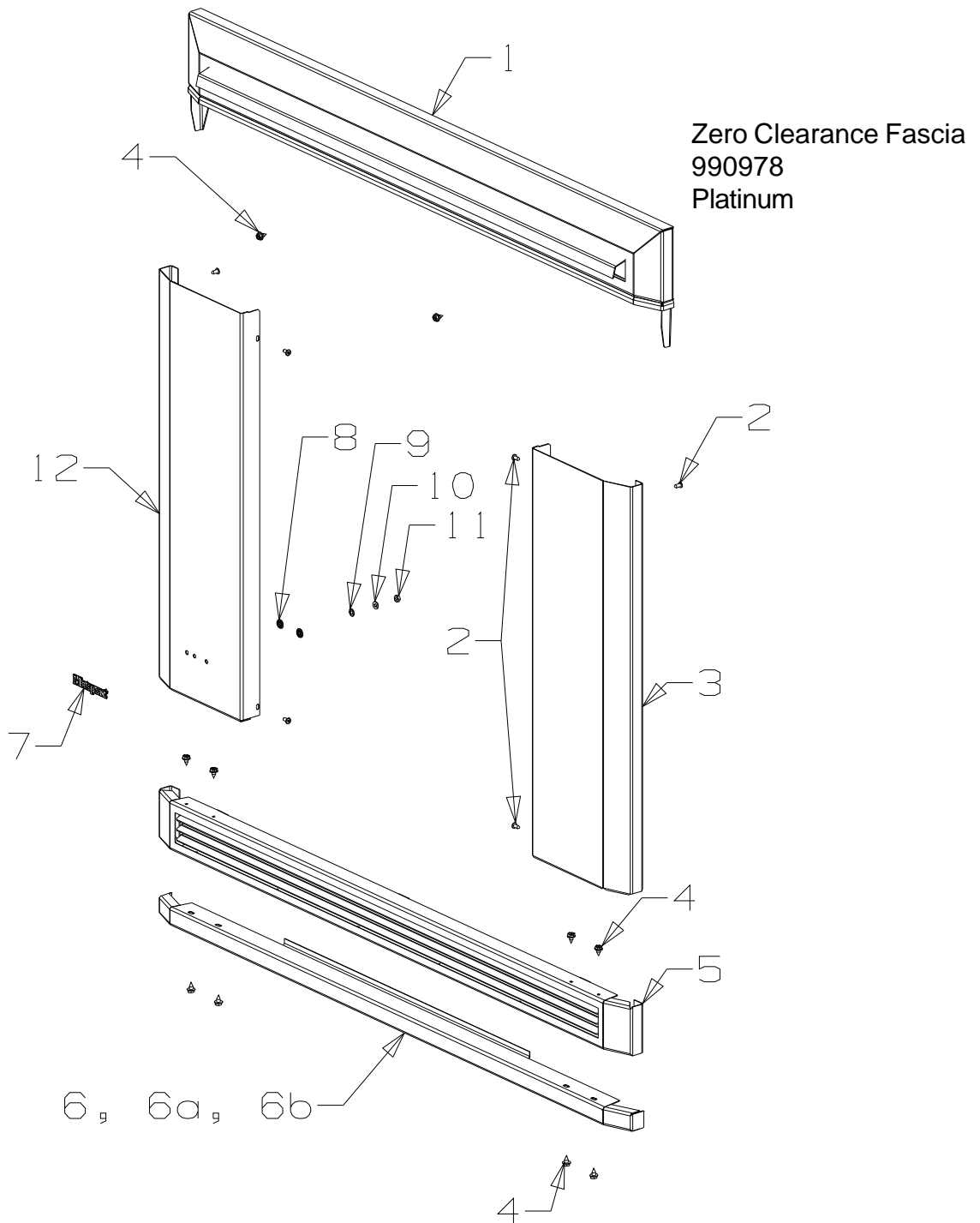
**Zero Clearance Kit  
990940**

| Item No | Part No | Description                     | Qty | Item No | Part No | Description       | Qty |
|---------|---------|---------------------------------|-----|---------|---------|-------------------|-----|
| 1       | 990150  | Plate-Cover, Flue               | 1   | 10      | 990068  | Panel-Side, RH    | 1   |
| 2       | 503704  | Screw, S/T 8 x .5               | 36  | 11      | 990241  | Rail-Bearer       | 2   |
| 3       | 990148  | Heatshield-Lintel               | 1   | 12      | 990072  | Spacer-Inner      | 2   |
| 4       | 990070  | Panel-Top                       | 1   | 13      | 990149  | Bracket-Restraint | 2   |
| 5       | 990186  | Deflector-Hot Air               | 2   | 14      | 503388  | Nut-Spire         | 2   |
| 6       | 585405  | Insulation-Outer Case, Rockwool | 1   | 16      | 990067  | Base              | 1   |
| 7       | 990073  | Panel-Rear                      | 1   | 17      | 990071  | Spacer-Base       | 4   |
| 8       | 990074  | Spacer-Outer                    | 3   | 18      | 990069  | Panel-Side, LH    | 1   |
| 9       | 503429  | Rivet-Pop, 3.2 Dia x 4.8        | 36  | 19      | 990387  | Spreader-Flow     | 1   |

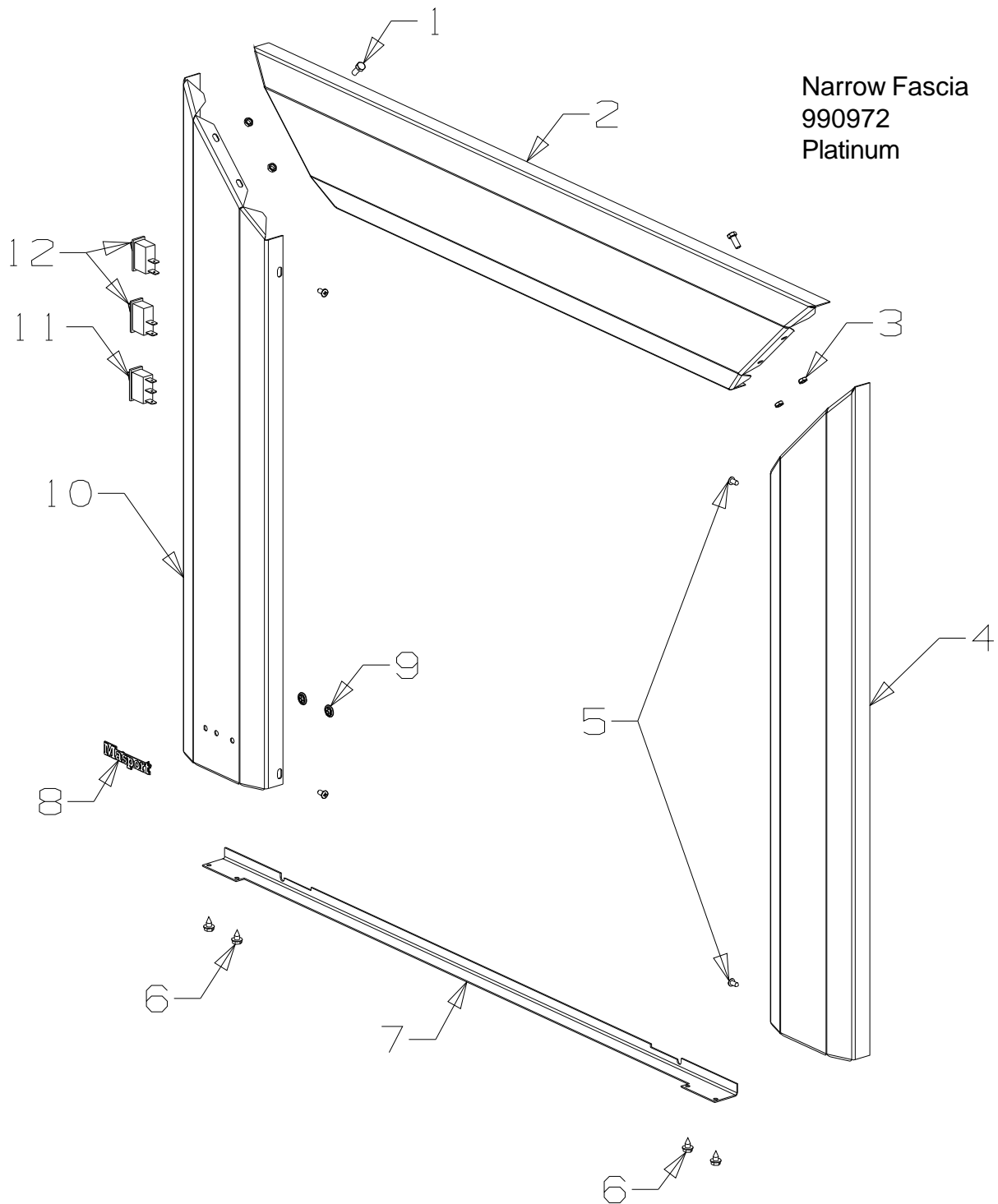


| Item | Part No | Description                   | Qty | Item                   | Part No       | Description            | Qty |
|------|---------|-------------------------------|-----|------------------------|---------------|------------------------|-----|
| 1    | 790511  | Panel Assy-Top - Platinum     | 1   | 9                      | 503622        | Nut, M4                | 1   |
| 2    | 586737  | Screw-S/T 8 x 10              | 6   | 10                     | 790515        | Fascia-LH - Platinum   | 1   |
| 3    | 790509  | Fascia-RH - Platinum          | 1   | 11                     | 503674        | Switch-Fan - On/Off/On | 1   |
| 4    | 503259  | Screw-S/T 10 x .4             | 6   | 12                     | 503620        | Switch - On/Off        | 2   |
| 5    | 790510  | Stiffener-Fascia - Platinum   | 1   | <b>NOT ILLUSTRATED</b> |               |                        |     |
| 6    | 585581  | Badge - Silver                | 1   |                        |               |                        |     |
| 7    | 503381  | Clip-Slarlock, 4 Dia          | 2   | 590290                 | Decal-Control | 1                      |     |
| 8    | 503371  | Washer-Disc, Fan 5 ID x 10 OD | 1   | 590291                 | Lead-Earth    | 1                      |     |





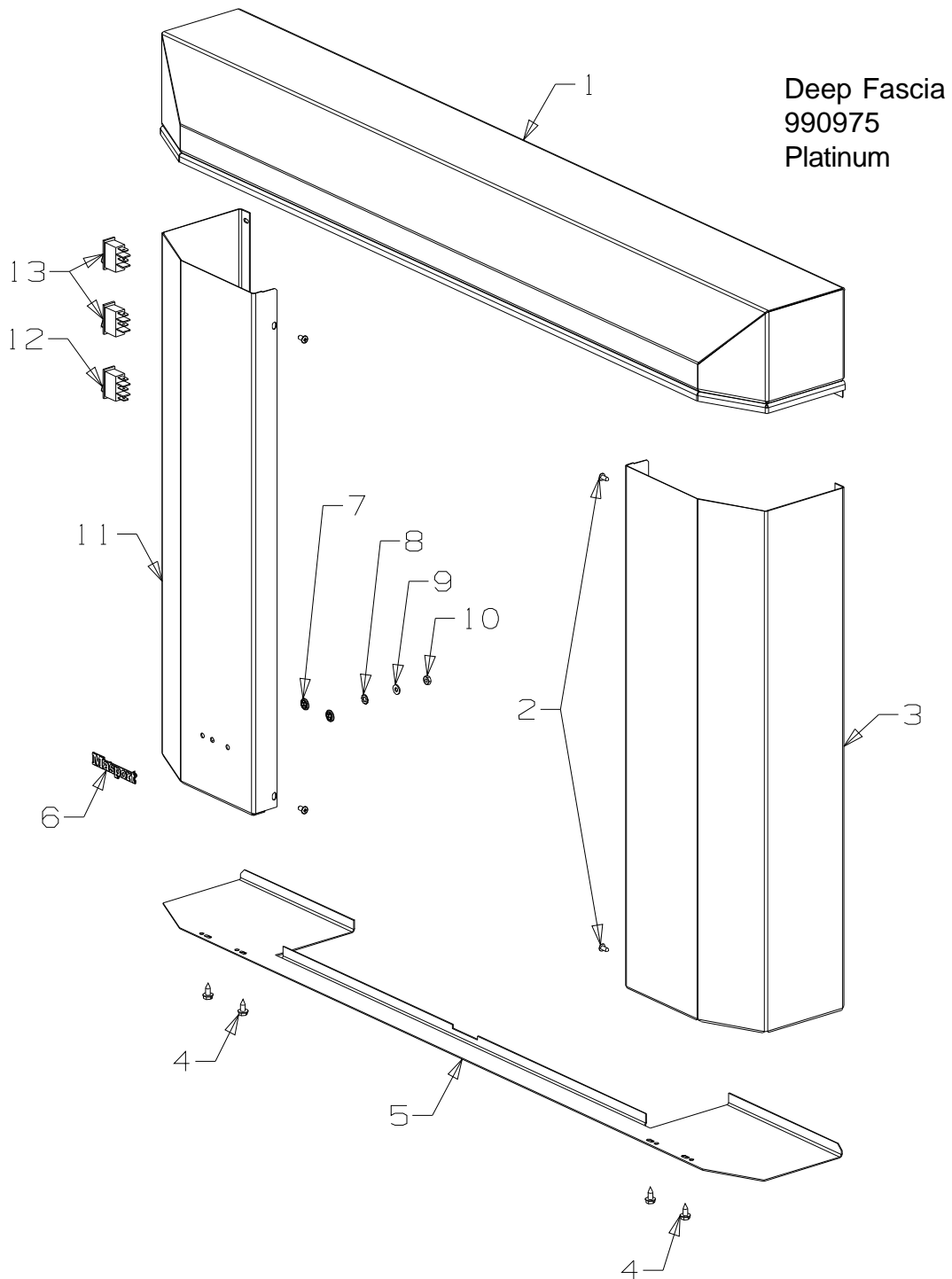
| Item No | Part No | Description                  | Qty | Item No | Part No | Description                   | Qty |
|---------|---------|------------------------------|-----|---------|---------|-------------------------------|-----|
| 1       | 790539  | Panel Assy-Top - Platinum    | 1   | 6b      | 790542  | Trim-Hearth, 100mm - Platinum | 1   |
| 2       | 586737  | Screw, S/T 8 x 10            | 10  | 7       | 584581  | Badge - Silver                | 1   |
| 3       | 790509  | Fascia-Side, RH - Platinum   | 1   | 8       | 503381  | Clip-Starlock, 4 Dia          | 2   |
| 4       | 503259  | Screw, S/T 10 x .5           | 10  | 9       | 503371  | Washer, Fan Disc 5 ID x 10 OD | 1   |
| 5       | 790537  | Louvre Assy - Platinum       | 1   | 10      | 503593  | Washer, Flat 4 x 9 x 1        | 1   |
| 6       | 790536  | Trim-Hearth, 25mm - Platinum | 1   | 11      | 503622  | Nut, M4                       | 1   |
| 6a      | 790541  | Trim-Hearth, 50mm - Platinum | 1   | 12      | 790515  | Fascia-Side, LH - Platinum    | 1   |



Narrow Fascia  
990972  
Platinum

| Item No | Part No | Description                | Qty | Item No | Part No | Description                | Qty |
|---------|---------|----------------------------|-----|---------|---------|----------------------------|-----|
| 1       | 501058  | Screw, Set M5 x 12         | 4   | 10      | 790524  | Fascia-Side, LH - Platinum | 1   |
| 2       | 790503  | Panel Assy-Top - Platinum  | 1   | 11      | 503674  | Switch-Fan - On/Off/On     | 1   |
| 3       | 501856  | Nut, M5 HEX                | 4   | 12      | 503620  | Switch - On/Off            | 2   |
| 4       | 790523  | Fascia-Side, RH - Platinum | 1   |         |         | <b>NOT ILLUSTRATED</b>     |     |
| 5       | 586737  | Screw, S/T 8 x 10          | 4   |         |         |                            |     |
| 6       | 503259  | Screw, S/T 10 x .4         | 4   |         |         |                            |     |
| 7       | 790501  | Stiffener - Platinum       | 1   |         |         |                            |     |
| 8       | 585581  | Badge - Silver             | 1   |         |         |                            |     |
| 9       | 503381  | Clip-Starlock, 4 Dia       | 2   |         | 590290  | Decal-Control              | 1   |

When ordering PLEASE QUOTE PART NUMBER & Description, NOT Illustration No.  
Determine right or left hand side from standing in operating position



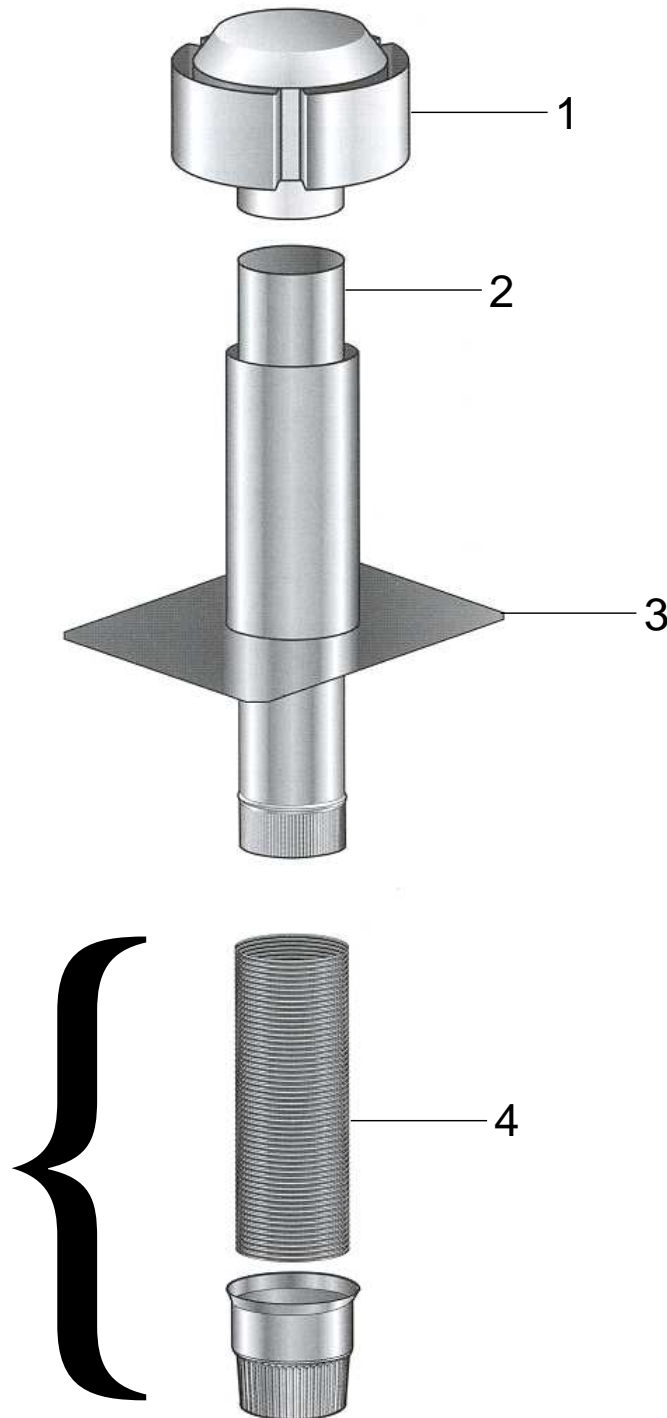
| Item No | Part No | Description                       | Qty | Item No                | Part No | Description                | Qty |
|---------|---------|-----------------------------------|-----|------------------------|---------|----------------------------|-----|
| 1       | 790526  | Panel Assy-Top - Platinum         | 1   | 10                     | 503622  | Nut, M4                    | 1   |
| 2       | 586737  | Screw, S/T 8 x 10                 | 6   | 11                     | 790532  | Fascia-Side, LH - Platinum | 1   |
| 3       | 790530  | Fascia-Side, RH - Platinum        | 1   | 12                     | 503674  | Switch-Fan - On/Off/On     | 1   |
| 4       | 503259  | Screw, S/T 10 x .4                | 6   | 13                     | 503620  | Switch - On/Off            | 2   |
| 5       | 790529  | Stiffener - Platinum              | 1   | <b>NOT ILLUSTRATED</b> |         |                            |     |
| 6       | 585581  | Badge - Silver                    | 1   |                        | 590290  | Decal-Control              | 1   |
| 7       | 503381  | Clip-Starlock, 4 Dia              | 2   |                        | 590291  | Lead-Earth                 | 1   |
| 8       | 503371  | Washer, Fan Disc<br>- 5ID x 10 OD | 1   |                        |         |                            |     |
| 9       | 503593  | Washer, Flat 4 x 9 x 1            | 1   |                        |         |                            |     |

When ordering PLEASE QUOTE PART NUMBER & Description, NOT Illustration No.  
Determine right or left hand side from standing in operating position



**MASONRY FLUE KIT**

**NZ ONLY**

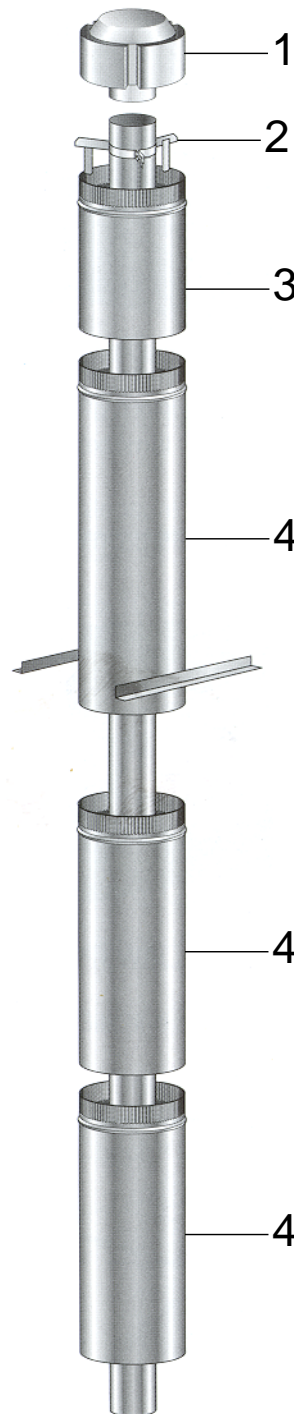


**Flue Kit Part Number: 588637**

| Item No | Part No | Description                                       | Qty | Item No | Part No | Description             | Qty |
|---------|---------|---|-----|---------|---------|-------------------------|-----|
| 1       | 551484  | Cowl-Anti Down Draught - 100mm                    | 1   | 3       | 551488  | Plate-Flashing, Chimney | 1   |
| 2       | 551482  | Flue Length - 100mm x 1200mm<br>- Stainless Steel |     | 4       | 551509  | Extension Kit-Chimney   | 1   |



# INBUILT ZERO CLEARANCE FLUE KIT



NZ ONLY

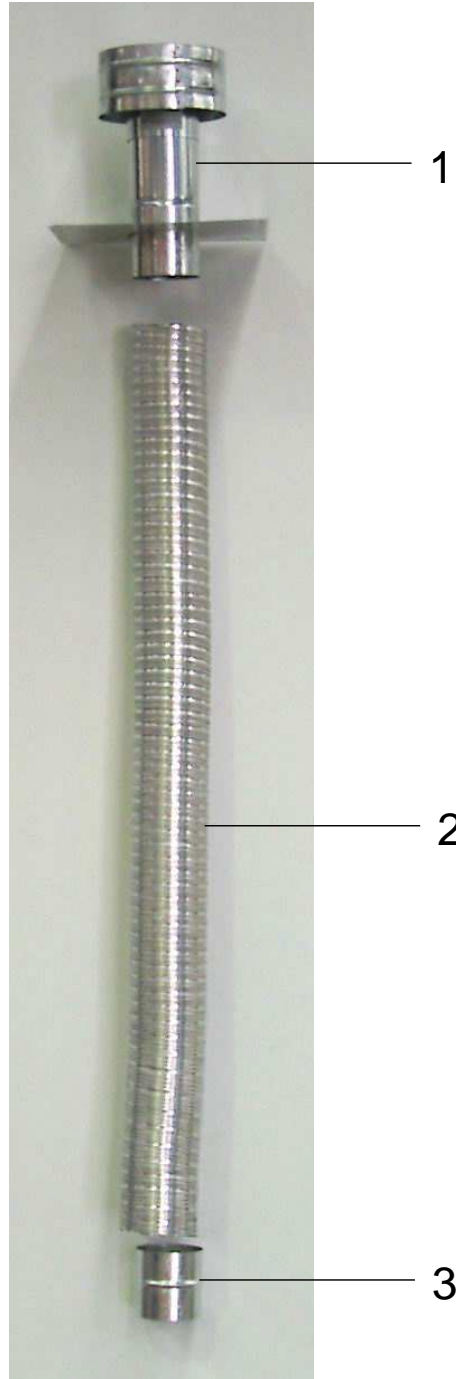
## Flue Kit Part Number: 588650

| Item No | Part No | Description                    | Qty | Item No | Part No | Description                    | Qty |
|---------|---------|--------------------------------|-----|---------|---------|--------------------------------|-----|
| 1       | 551484  | Cowl-Anti Down Draught - 100mm | 1   | 3       |         | NOT AVAILABLE                  | 1   |
| 2       | 556095  | Bracket-Top Flue Spacer        | 1   | 4       | 588672  | Kit-Extension-Roof (Unpainted) | 1   |



**MASONRY FLUE KIT**

**AUST ONLY**



**Masonry Chimney  
Extension Kit  
- Expandable to  
2 metres  
Part No: 946-514**

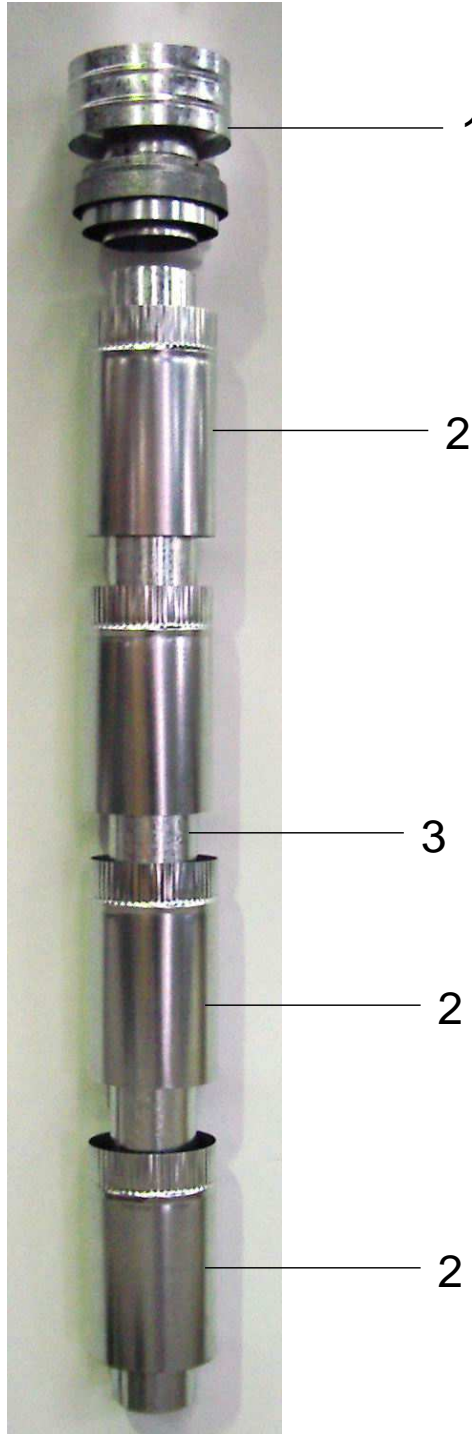
**Flue Kit Part Number: 552322**

| Item No | Part No | Description                        | Qty | Item No | Part No | Description                     | Qty |
|---------|---------|------------------------------------|-----|---------|---------|---------------------------------|-----|
| 1       | 556682  | Chimney Flashig Plate and Cowl Kit | 1   | 2       |         | Flexi Flue Kit-Upper - 5 metres | 1   |
|         |         |                                    |     | 3       |         | Adaptor-Lower                   | 1   |



## INBUILT ZERO CLEARANCE FLUE KIT

AUST ONLY



### Flue Kit Part Number: 552327

| Item No | Part No | Description           | Qty | Item No | Part No | Description              | Qty |
|---------|---------|-----------------------|-----|---------|---------|--------------------------|-----|
| 1       | 556681  | Gas Cowl              | 1   | 3       | 586097  | Inner Flue 100mm x 900mm | 4   |
| 2       | 552331  | Extension Kit - 900mm | 4   |         |         |                          |     |



| Part No                | Description   | Qty      |
|------------------------|---|----------|
| <b>NOT ILLUSTRATED</b> |   |          |
| <b>591416</b>          | Paint, Touch Up - Platinum                              | <b>1</b> |
| <b>503054</b>          | Tie-Nylon, Cable  | <b>4</b> |
| <b>503662</b>          | Retainer-Cable, Jet Press                               | <b>1</b> |
| <b>788666</b>          | Embers-Medium Coal, 12 oz. bag                          | <b>1</b> |
| <b>588507</b>          | Terminal-Utiluz   | <b>1</b> |
| <b>588068</b>          | Loom-3 Pin, Fan   | <b>1</b> |
| <b>590347</b>          | Loom-Ignition Module                                    | <b>1</b> |
| <b>590288</b>          | Lead-Rectifier (Control Box)                            | <b>1</b> |
| <b>591289</b>          | Lead-Relay, T/S connect (Control Box)                   | <b>1</b> |
| <b>591290</b>          | Lead-Relay, Mains connect (Control Box)                 | <b>1</b> |
| <b>590313</b>          | Lead-Loop Switch  | <b>1</b> |
| <b>590273</b>          | Lead-Earth, Piezo (Burner Tray Assy)                    |          |
| <b>590271</b>          | Lead-Spark, 4.8mm x 2.8mm x 300mm<br>(Burner Tray Assy) | <b>1</b> |
| <b>590272</b>          | Lead-Flame, 4.8mm x 4.8mm x 300mm<br>(Burner Tray Assy) | <b>1</b> |
| <b>503816</b>          | Receptable-DZUS (Latch Plate-Grille)                    | <b>1</b> |
| <b>790489</b>          | Kit-Thermodisc  | <b>1</b> |
| <b>590488</b>          | Owners Manual   | <b>1</b> |

**HEAD OFFICE - NEW ZEALAND**

1 - 37 Mt Wellington Highway  
Panmure, Auckland 6  
Phone: (9) 571 1200  
Fax: (9) 571 5864

**HEAD OFFICE - AUSTRALIA**

P.O. Box 533, Braeside  
Postcode: 3195  
Phone: 1300 366 225  
Fax: 1800 035 594